

ANSI WELD NECK STYLE SIGHT GLASS SERIES NW-BW |

PAPAILIAS ANSI Weld Neck flanged style sight glasses Series NW-BW are offered for pipe sizes of 1", 1½", 2", 3", 4", 5", 6" and 8". Larger sizes and custom configurations are available upon request. This series of weld neck style sight glasses are designed for welding to a stub end pipe or may be supplied with a radius to saddle the pipe. Series NW-BW sight glass flanges are made from ASME Section VIII acceptable metals and can be supplied with CMTR's upon request.

ASME code calculations and any resulting additional material needed to reinforce sight glass opening to meet ASME code is the responsibility of the buyer.

DESIGN CONDITIONS:

Pressure: Up to 150PSIG/FV @500°F depending on size, lens type and gasket material. Higher pressure ratings available. Consult factory for details.

Temperature: Tempered Soda Lime Glass, ≤ 300°F
 Tempered Borosilicate Glass, ≤ 500°F
 Fused Quartz Glass, >500°F
 Lexan/Acrylic (Non-Glass), ≤ 200°F

STANDARD MATERIALS OF CONSTRUCTION:

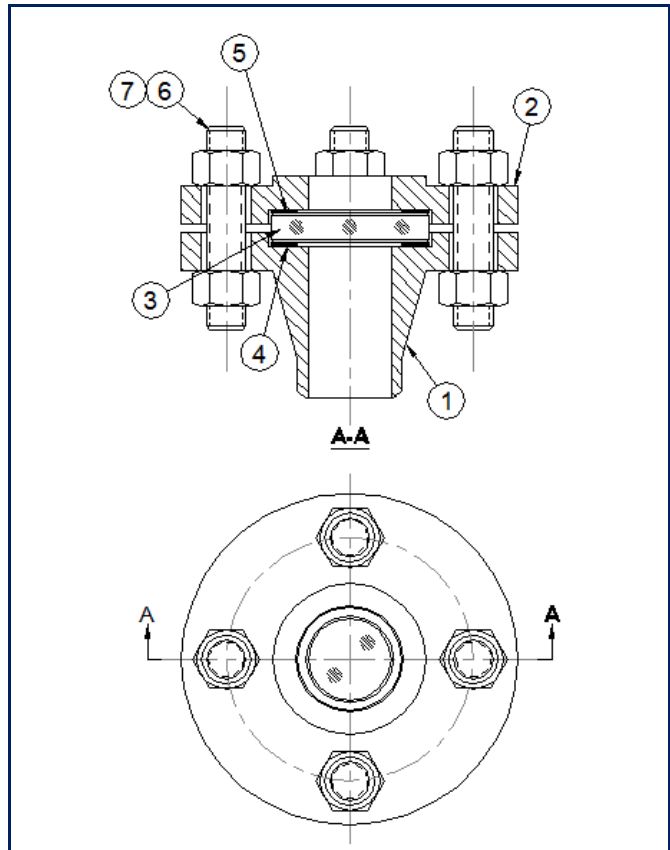
Item	Description	Material
1, 2	Lower Flange, Lens Retainer	SA105; Carbon Steel SA182; SA240 T304/304L SST SA182; SA240 T316/316L SST
3	Lens	Tempered Soda Lime Glass, ≤ 300°F Tempered Borosilicate Glass, ≤ 500°F Fused Quartz Glass, >500°F Lexan/Acrylic (Non-Glass), ≤ 200°F
4	Seal Gasket	EPDM Elastomer [300°F Max] Expanded PTFE [500°F Max] Fluoroelastomer [400°F Max] Graphite [>500°F] Other upon request
5	Cushion	Non-Asbestos Fiber, or Other
6	Stud	A193 B7, A193 B8 or Other
7	Hex Nut	A194 2H, A194 Gr8 or Other

OPTIONAL ACCESSORIES:

- a. Series PL, MSL, SLEX, REX, FIBERLUX Illuminantors
- b. Type I Window Wipers
- c. Type 3 Spray Rings
- d. Machined radius to saddle side of pipe.



PAPAILIAS, Inc. Series NW-BW
 150# ANSI Weld Neck Flange Style Circular Sight Glass

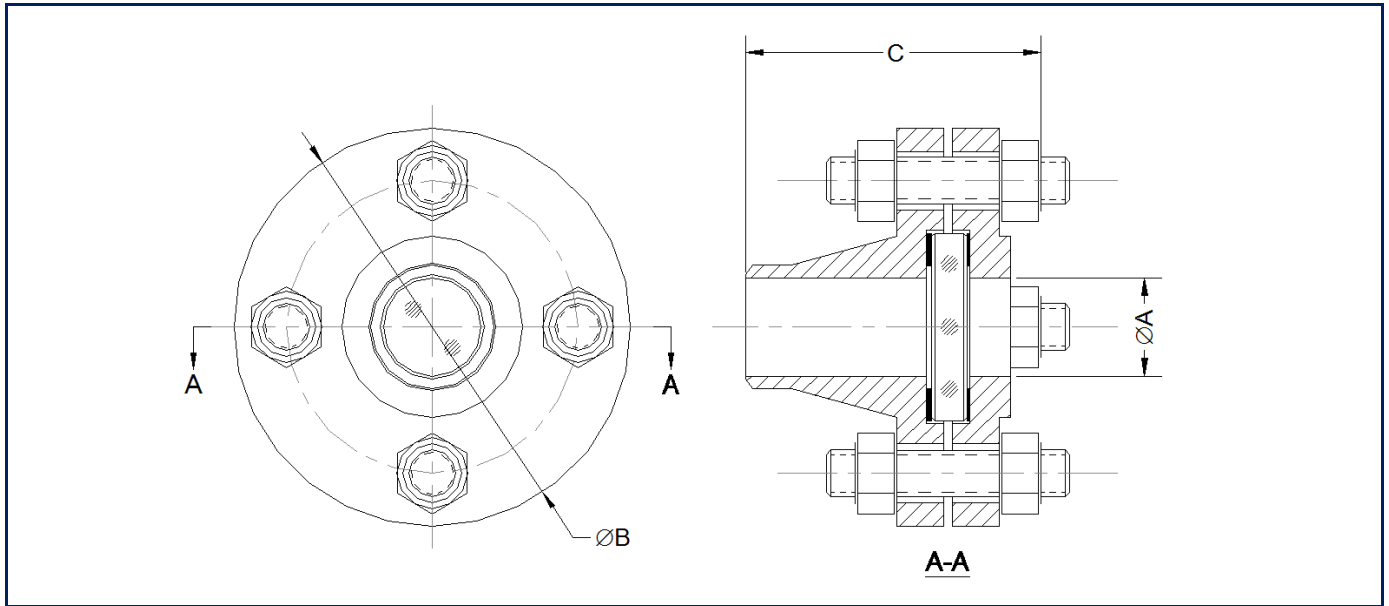


PAPAILIAS, Inc. Series NW-BW
 Schematic View

STANDARD DOCUMENTATION:

- a. Certified Material Test Report [CMTR] for Weld Pad
- b. Certificate of Compliance
- c. CMTRs for Lens Retainers & Fasteners upon Request.

DATA SHEET | ANSI FLANGED SIGHT GLASSES SERIES NW-RF, NW-FT & NW-BW



SIZE	MAX. PRESSURE	NO. BOLTS/SIZE	A	B	C	EST. WEIGHT
1"NW-BW	150PSIG/FV	[4x] 1/8"	1-1/16"	4-1/4"	3-1/4"	6 Lbs
1½"NW-BW	150PSIG/FV	[4x] 1/8"	1-15/16"	5"	3-3/4"	9 Lbs
2"NW-BW	150PSIG/FV	[4x] 5/8"	2-7/16"	6"	4"	13 Lbs
3"NW-BW	150PSIG/FV	[4x] 5/8"	3-1/16"	7 ½"	4-11/16"	23 Lbs
4"NW-BW	125PSIG/FV	[8x] 5/8"	4-9/16"	9"	4-15/16"	34 Lbs
5"NW-BW	150PSIG/FV	[8x] 3/4"	5-1/16"	10"	7-1/2"	39 Lbs
6"NW-BW	150PSIG/FV	[8x] 3/4"	6-11/16"	11"	8-5/8"	48 Lbs
8"NW-BW	125PSIG/FV	[8x] 3/4"	8-11/16"	13-1/2"	11"	75 Lbs

ORDERING INFORMATION:

--	--	--	--	--	--

Illuminator Option:

PL80 [for 3"
 PL100 [for 4"
 PL125 [for 5"
 PL175 [for 6"
 PL225 [for 8"
 MSL-100
 MSL-HI-LED
 SLEX-100
 REX-100
 SLEX-HI-LED

Size:

1" NW-BW
 1½" NW-BW
 2" NW-BW
 3" NW-BW
 4" NW-BW
 5" NW-BW
 6" NW-BW
 8" NW-BW

Weld Pad:

CS - SA516 Gr70
 304 - 304/304L SST
 316 - 316/316L SST
 C22 - Alloy C22
 C276 - Alloy C276
 A20 - Alloy 20
 Other - Specify

Lens Retainer:

CS - SA516 Gr70
 304 - 304/304L SST
 316 - 316/316L SST
 C22 - Alloy C22
 C276 - Alloy C276
 A20 - Alloy 20
 Other - Specify

Lens:

TSL - Temp Soda Lime
 TBS - Temp Borosilicate
 QTZ - Fused Quartz
 ACR - Cast Acrylic
 LEX - Polycarbonate
 Other - Specify

Seal Gasket:

EPDM - EPDM
 TFE - ePTFE
 FKM - Viton/FKM
 SIL - Silicone
 NEO - Neoprene
 GPH - Graphite
 Other - Specify

--	--

Wiper Option:

TY1WW - Type 1 Wiper

Washer Option:

TY3SW - Type 3 Spray Washer/Ring

Note: ASME code calculations and any resulting additional material needed to reinforce sight glass opening to meet ASME code is the responsibility of the buyer.

Sample Part #: SLEX-HI-LED/6"NW-BW/304/304/TBS/TFE/TY3SW
 6" NW-BW Weld Neck Style Sight Glass with 304/304L Stainless Steel Weld Neck Flange & Lens Retainer. Tempered Borosilicate Glass Lens, Expanded PTFE Seal Gasket. Fitted with SLEX-HI-LED Light Fixture and Type 3 Spray Ring.